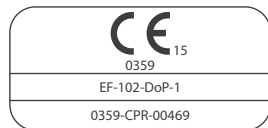


Features

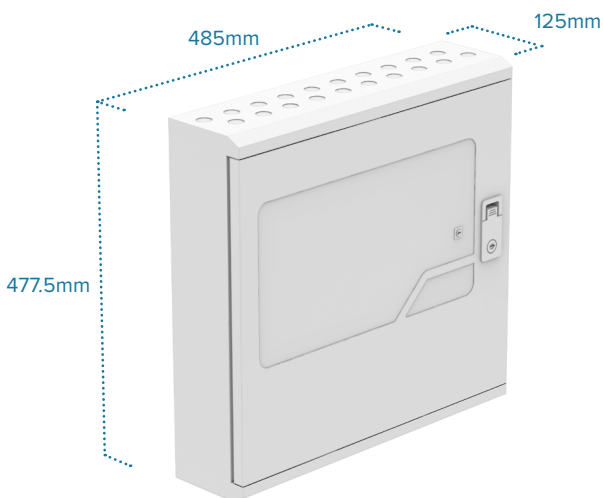
- Approved to EN54-2 & 4 ✓
- 8, 16, 24 zone versions ✓
- 4 monitored sounder circuits ✓
- Expansion of zone and sounder circuits ✓
- Repeater panel output ✓
- Test mode ✓
- Sounder delay facility ✓
- Key-switch for activation of controls ✓



Listings / Approvals



Dimensions



A flexible, fully-featured expandable modular based conventional fire alarm control panel available in 8, 16 or 24 zone versions. The panel provides a high standard of quality and reliability that is easy to install, commission, maintain and simple to operate.

The metal enclosure can be surface or semi-flush mounted and provides excellent access during the installation and commissioning stages. 4 monitored sounder circuits and a SELV fault and fire relay are included with further expansion options for zones and sounder circuits using the modular based expansion PCB cards.

Complemented by a complete range of ProFyre conventional field devices, the ProFyre C24 is the logical choice for systems that require clear alarm management and ease of use.



Technical Specification

Detection	Zones	8, 16, 24
	Devices	Up to 32 per Zone
	Zone Voltage	21Vdc Nominal
	Zone Short Circuit Protection	100mA
	Zone End of Line Device	1N4002 Diode
	Manual Call Point Trigger Resistance	470Ohm or 680Ohm
Technology	Panel	Sounder Delay One Man Test Facility Zonal & Sounder Isolation
	Hardware	
	Indication	Power, Common Fire, Common Fault, Supply Fault, Earth Fault, System Fault, General S/C, Sounder Fault Disablement, Sounder Delay, F.A.R.E Active, F.A.R.E Fault Disablement, Repeater Fault, General Disablement, General Test, Controls Active, Zone 1-24 Fire, Zone 1-24, Fault, Zone 1-24 Test/Disabled
	Controls	Panel Access, Start/Stop Sounders, Silence Buzzers, Reset, LED Test, Sounder Delay, Function, Scroll, Select
	Outputs	1 x VFCO Fault Relay: SELV @ 1A 1 x VFCO Fire Relay: SELV @ 1A 1 x Auxiliary Output: 24Vdc @ 250mA
	Inputs	Sounder Alarm Outputs: 4 x 150mA @ 24Vdc
	Sounder Circuit	Sounder Activation Delay: 0 to 9 Minutes - In 1 Min Increments Sounder End of Line Device: 10K Resistor
Electrical	Mains Voltage	230Vac +/- 10% @ 50/60Hz
	System Voltage	28Vdc Nominal (19 - 32V)
	Charger Voltage	27.6V @ 25°C (No Batteries Connected)
	Total PSU Output	5A
	Battery Capacity	2 x 12V 17Ah SLA (Max)
	Battery Cut-off Voltage	Less Than 20.5Vdc
Mechanical	Dimensions (W x H x D)	485mm x 477.5mm x 125mm (19.09in x 18.80in x 4.92in)
	Cable Entries	Top: 20 x 20mm Knockouts Bottom: 6 x 20mm Knockouts
	Mounting Points	3
	Material	Mild Steel
	Colour	RAL 7035
Environmental	Operating Conditions	Operating Temperature: 0° to +50°C (32°F to 122°F)
	IP Rating	IP30
	Design Environment	Indoor Use Only





Mounting Options



Surface Mounting

Semi-flush Mounting



Ordering Information

- 13-010** ProFyre C24 8 Zone Conventional Fire Alarm Panel

- 13-011** ProFyre C24 16 Zone Conventional Fire Alarm Panel

- 13-012** ProFyre C24 24 Zone Conventional Fire Alarm Panel

- 40-004** Semi-flush Mount Bezel for ProFyre A4 & ProFyre C24

- 13-014** ProFyre C24 8 Zone Expansion PCB

- 13-015** ProFyre C24 8 Zonal Sounder Expansion PCB

